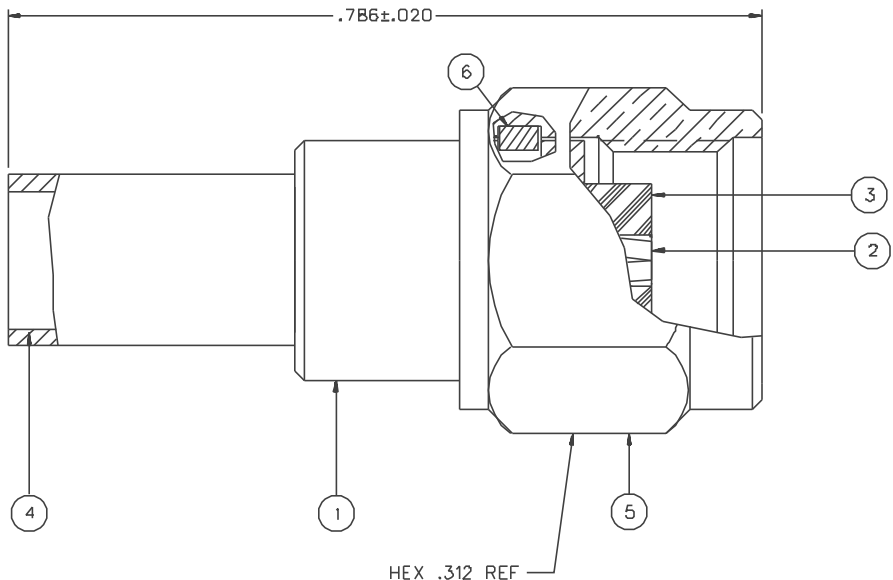


PART NUMBER	ITEM ① BODY	ITEM ② CONTACT	ITEM ③ INSULATOR	ITEM ④ CRIMP SLEEVE	ITEM ⑤ COUPLING NUT	ITEM ⑥ RETENTION SPRING
142-4404-001	BRASS GOLD PL .00001 MIN OVER NICKEL PL .00005 MIN OVER COPPER PL .00005 MIN	BERYLLIUM COPPER GOLD PL .00005 MIN OVER NICKEL PL .00005 MIN OVER COPPER PL .00005 MIN	TEFLON	COPPER GOLD PL .00001 MIN OVER NICKEL PL .00005 MIN OVER COPPER PL .00005 MIN	BRASS GOLD PL .00001 MIN OVER NICKEL PL .00005 MIN OVER COPPER PL .00005 MIN	BERYLLIUM COPPER UNPLATED
142-4404-006	BRASS NICKEL PL .0001 MIN OVER COPPER PL .00005 MIN	BERYLLIUM COPPER GOLD PL .00005 MIN OVER NICKEL PL .00005 MIN OVER COPPER PL .00005 MIN	TEFLON	COPPER NICKEL PL .0001 MIN OVER COPPER PL .00005 MIN	BRASS NICKEL PL .0001 MIN OVER COPPER PL .00005 MIN	BERYLLIUM COPPER UNPLATED



NOTES:

1. SPECIFICATIONS:

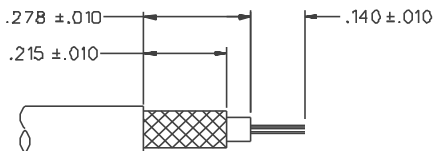
IMPEDANCE: 50 OHMS  
 FREQUENCY RANGE: 0-12.4 GHz  
 VSWR: 1.15-.02 F MAX (F IN GHz)  
 WORKING VOLTAGE: 250 VRMS MAX AT SEA LEVEL  
 DIELECTRIC WITHSTANDING VOLTAGE: 750 VRMS MIN AT SEA LEVEL  
 INSULATION RESISTANCE: 5000 MEGOHM MIN  
 CONTACT RESISTANCE:  
 CENTER CONTACT - INITIAL 3.0 MILLIOHM MAX, AFTER ENVIRONMENTAL 4.0 MILLIOHM MAX  
 OUTER CONDUCTOR - INITIAL 2.0 MILLIOHM MAX AFTER ENVIRONMENTAL NOT APPLICABLE  
 BODY TO CABLE - 0.5 MILLIOHM MAX (GOLD PLATED)  
 5.0 MILLIOHM MAX (NICKEL PLATED)  
 CORONA LEVEL: 190 VOLTS MIN AT 70,000 FEET  
 INSERTION LOSS: .06, F MAX (F IN GHz) AT 6 GHz  
 RF LEAKAGE: -60 DB MIN AT 2.5 GHz  
 RF HIGH POTENTIAL WITHSTANDING VOLTAGE: 500 VRMS MIN AT 4 AND 7 MHz

MECHANICAL:

ENGAGE/DISENGAGE TORQUE: 2 INCH-POUNDS MAX  
 MATING TORQUE: 7-10 INCH POUNDS  
 COUPLING PROOF TORQUE: 15 INCH-POUNDS MIN  
 COUPLING NUT RETENTION: 60 LBS MIN  
 CONTACT RETENTION: 6 LBS MIN AXIAL FORCE  
 CABLE ACCEPTABILITY: RG 316/U DOUBLE SHIELDED  
 RG 188/U DOUBLE SHIELDED  
 CABLE HEX CRIMP SIZE: .151  
 CONTACT CRIMP TOOL: P/N 144-0000-910 WITH POSITIONER 141-0000-907  
 CABLE RETENTION: 20 LBS MIN AXIAL FORCE  
 DURABILITY: 500 CYCLES MIN

ENVIRONMENTAL:

(MEETS OR EXCEEDS THE APPLICABLE PARAGRAPH OF MIL-C-39012)  
 THERMAL SHOCK: MIL-STD-202, METHOD 107, CONDITION B, EXCEPT B5° C HIGH TEMP  
 OPERATING TEMPERATURE: -65° C TO 165° C  
 CORROSION: MIL-STD-202, METHOD 101, CONDITION B  
 SHOCK: MIL-STD-202, METHOD 213, CONDITION I  
 VIBRATION: ML-STD-202, METHOD 204, CONDITION D  
 MOISTURE RESISTANCE: MIL-STD-202, METHOD 106



CABLE STRIP DIMENSIONS

4:1

DRAWING NO.	
C - 142-4404-001/010	
0 REVISIONS	
ENGINEERING RELEASE	
1	11-11-98 R H 11-5-99 ECN 45893
VERSION UPDATE	
1a	6-9-00 R K 11-5-00 ECN 47104
ADDED: CONTACT CRIMP TOOL P/N'S	
* REVISION NUMBER FOLLOWED BY AN ALPHA *	
* CHARACTER INDICATES DRAWING CLARIF. *	
* CATION OR PART NUMBER ADDITION ONLY. *	
1b	11-10-00 R H 47316

CUSTOMER DRAWING

THIS DRAWING TO BE INTERPRETED PER ANSI Y14.5M - 1982

"μSTATION"

COMPANY CONFIDENTIAL

TOLERANCE UNLESS OTHERWISE SPECIFIED	DRAWN BY <b>RSH</b>	DATE 11-11-98		299 Johnson Ave. P.O. Box 1732 Waseca, MN 56093-0832	
DECIMALS _____ mm _____	CHECKED BY SWC	DATE 11-13-98		TITLE PLUG ASSEMBLY, STRAIGHT CABLED, REVERSE POLARITY SMA, RG 316 DS	
.XXX _____	APPROVED BY TAK	DATE 12-7-98	CODE NO.	DRAWING NO.	C - 142-4404-001/010
MATL _____	APPROVED BY RJB	DATE 12-14-98	SCALE 10:1	U/W INCH	
FINISH _____	RELEASE DATE	1-5-99			